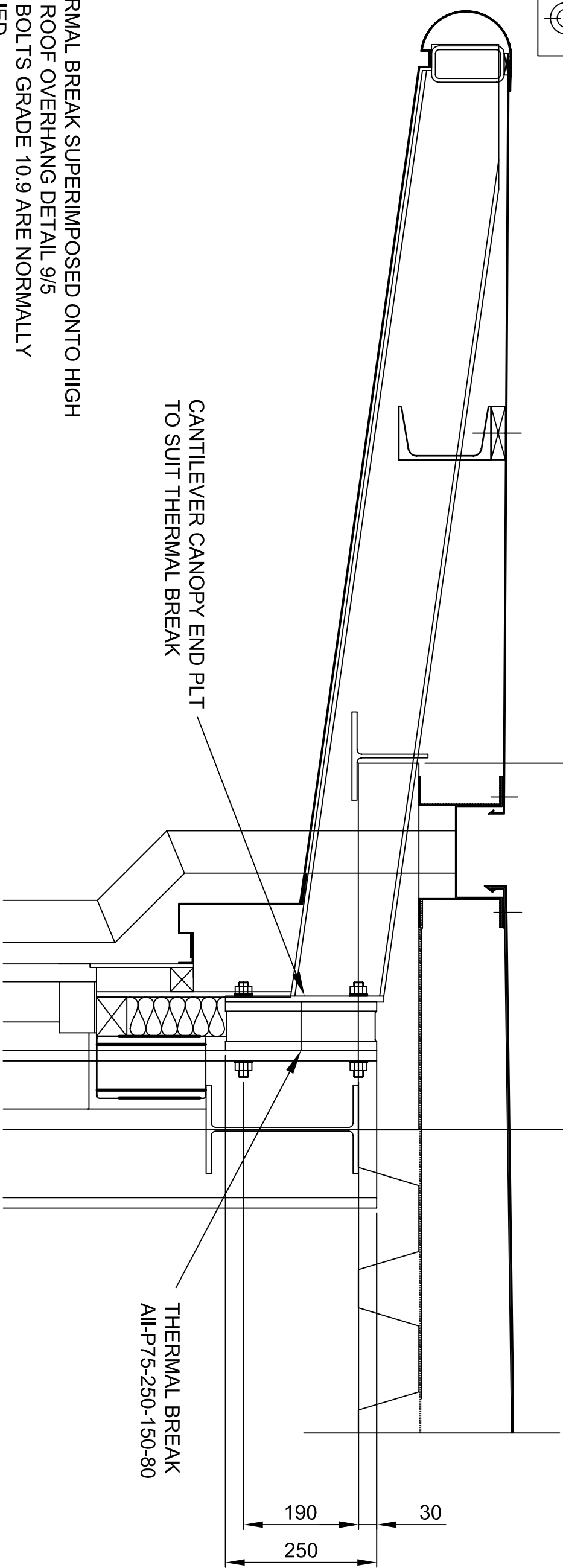
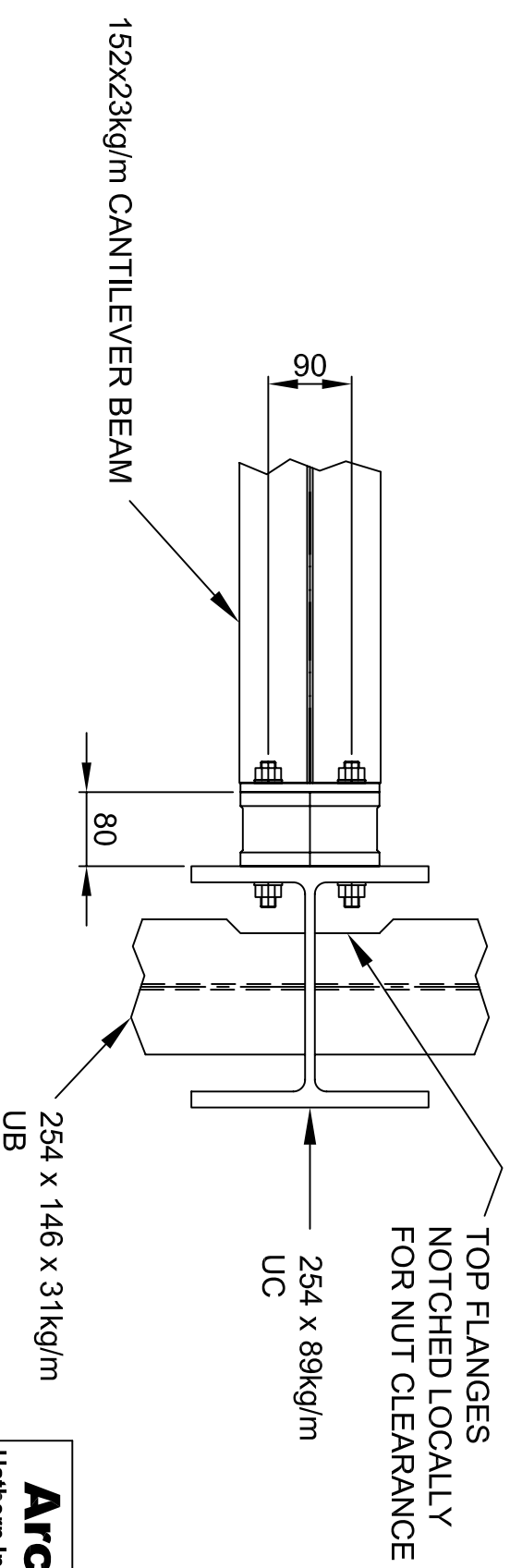




DO NOT SCALE IF IN DOUBT ASK



- NOTE.
1. THERMAL BREAK SUPERIMPOSED ONTO HIGH LEVEL ROOF OVERHANG DETAIL 9/5
 2. M16 BOLTS GRADE 10.9 ARE NORMALLY SUPPLIED
 3. NUMBER OF POSITIONS TO BE CONFIRMED



PART PLAN VIEW

General Notes

1. ALL DIMENSIONS ARE IN MILLIMETRES UNLESS OTHERWISE STATED.
2. GENERAL TOLERANCE IS ± 0.2 mm UNLESS OTHERWISE STATED.
3. REMOVE ALL BURRS AND SHARP EDGES.

Archtechnik Ltd
 Hathern Industrial Estate, Rempstone Road,
 Normanton-on-Soar, Leicestershire, LE12 5EW
 Tel 0870 4604831 Fax 0870 4604832

CONTRACT :- ARDEN SCHOOL KNOWLE PROJECT

TITLE :- THERMAL BREAK TO CANOPY DETAIL 9/5

DRAWN	DATE	CHECKED	DATE	SCALE
DRAWN JS	DATE 08.08.08	CHECKED	DATE	SCALE 1:8
DWG. No. 00783				REV. -

This drawing and the copyright therein are the property of Archtechnik Ltd, and all information which it contains is confidential. This drawing must not be reproduced or disclosed, nor must any information taken therefrom be